



# Thermo-Loc™



**IMPORTANT:** When used properly, Thermo-Loc is a versatile, safe and effective work-holding material. PROPER USE DEPENDS ON YOU. Read all instructions carefully and use this product according to instructions for your own safety.



**WARNING:** If you overheat Thermo-Loc, you could be burned and/or release undesirable fumes. Extreme overheating could start a fire. Always heat Thermo-Loc according to directions. Do NOT use any open flame (including a torch) to heat Thermo-Loc. Do NOT touch Thermo-Loc with bare hands if overheated...let it cool first.

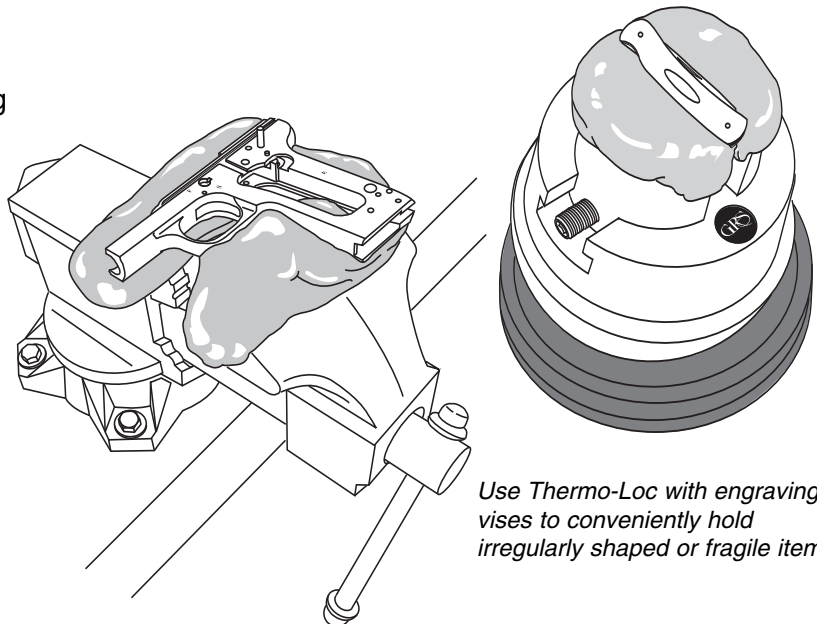


**MICROWAVE WARNING:** If you use a microwave oven to heat Thermo-Loc, follow Microwave Heating Method instructions carefully. NEVER microwave Thermo-Loc MORE THAN 20 SECONDS at a time. (If, after heating with a microwave once, you decide to heat it further, do NOT exceed 20 seconds microwave heating at a time). ALWAYS remain with your microwave oven when heating Thermo-Loc. NEVER leave while microwave oven is operating. ALWAYS place Thermo-Loc on a PTFE (Teflon®) pad inside microwave oven. With proper procedures, microwave heating can be a fast, efficient and safe method of heating / softening Thermo-Loc if you follow these instructions.

## Introduction to Thermo-Loc™

Thermo-Loc™ is a special reusable polymer material that is rigid at room temperature yet becomes softly pliable when heated/warmed. Thermo-Loc was developed to hold irregularly shaped or fragile items including gun parts, knives, motorcycle parts, and wood carvings for engraving, carving, finishing and other handwork. In the soft, pliable condition, Thermo-Loc can be shaped around the item. When it cools to room temperature, Thermo-Loc is rigid enough to hold the workpiece securely for a variety of operations. It is not an adhesive, it holds by closely fitting the workpiece itself. Thermo-Loc can be softened in seconds in a household microwave oven, or using an electric heat gun or low temperature oven. Thermo-Loc microwave softening capability is an important advantage for holding steel items such as gun and knife parts without the rust caused by other work-holding materials that are softened in hot water.

Thermo-Loc is supplied in convenient 6" (150mm) long sticks. The medium gray color is designed to reduce eye strain under work lights. Thermo-Loc can be reheated and reused. It is non-toxic and biodegradable.



*Use Thermo-Loc with engraving vises to conveniently hold irregularly shaped or fragile items.*

# General Instructions

When Thermo-Loc is heated, it will soften and can stick to some surfaces. One material Thermo-Loc will not stick to is PTFE (Teflon). To avoid damage to counter tops and other surfaces, heat and store softened Thermo-Loc on a PTFE pad.

NOTE: Thermo-Loc Kit #003-667 includes a 6" (150mm) square PTFE (Teflon®) pad. You can also buy this pad separately as item #003-291.

When it cools, Thermo-Loc will not stick to most metal and many other surfaces. If you are in doubt about a particular surface, first test heated Thermo-Loc on a small hidden area. If, after cooling, the test Thermo-Loc adheres undesirably to that surface, use a release agent (such as silicone spray) or wrap the surface with a slick material such as PTFE (Teflon®) tape or a piece of high-density plastic bag (like the thin, strong bags used by Wal-Mart or other stores) before applying heated Thermo-Loc to that surface.

Thermo-Loc has a wide variety of uses and numerous ways to use it. You can use Thermo-Loc to cover vise jaws, pliers, clamps, tool handles and more. For many work holding applications, the workpiece can be imbedded or wrapped with Thermo-Loc while it is warm and flexible. After cooling, Thermo-Loc will precisely fit the workpiece contour and hold it securely. **IMPORTANT:** before you apply Thermo-Loc, consider how you will remove the workpiece after the work is done. This planning is important since Thermo-Loc is quite tough at room temperature. If you don't plan adequately, you could face a needlessly difficult job removing your work from Thermo-Loc. With a little thought and experience, this should not be problem. It's a case of planning ahead. One effective technique is to use Thermo-Loc around screw threads. After it cools, screws and bolts can be easily removed from Thermo-Loc by simply unscrewing them.

Thermo-Loc begins to "melt" around 145 °F (63 °C). But this "melting" is not as distinct a change as water changing from ice to liquid. By controlling how hot you heat Thermo-Loc, you control some of its working properties. At higher temperatures, Thermo-Loc is more flexible allowing you to work it into tighter places. And, higher temperatures give you more working time especially with large metal workpieces that quickly cool Thermo-Loc by heat sinking. But the penalties for higher working temperatures include greater shrinkage and longer cooling time before you can work on the workpiece. At about 180 °F (82 °C), Thermo-Loc is fairly soft and can be formed into small areas.



**IMPORTANT:** When Thermo-Loc is heated above 180 °F (82 °C), you should use care when handling it with your bare hands to avoid burns.

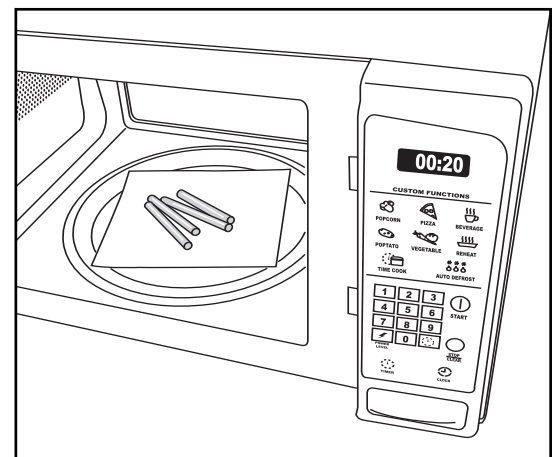
**GRS**  
**Thermo-Loc™**

# HEATING INSTRUCTIONS

## Microwave Heating Method

Start with 1 or 2 Thermo-Loc sticks. Cutting the sticks in half before heating is often more convenient than working with full length sticks. Place Thermo-Loc material on PTFE (Teflon®) pad inside the microwave oven. Set oven for full power and timer for 20 seconds or less. After a maximum of 20 seconds, open microwave oven and check heated condition of Thermo-Loc. It is likely that some parts of the Thermo-Loc will be warmer than other parts. After you have determined that the Thermo-Loc is not too hot to handle safely, try to fold or knead the warmed stick into a more compact shape. If you want to heat the Thermo-Loc further, set microwave oven for a maximum of 20 additional seconds. Continue to check and reheat for 20 seconds maximum at a time until the desired temperature and pliability is reached. **NOTE:** Since microwave ovens often heat some areas more than others, move the PTFE pad around each time you open the oven. Microwave ovens vary widely in heating speed and evenness. This means it is necessary for you to experiment to determine the right combination of speed and power level for proper Thermo-Loc warming. With a little experience, you'll soon be able to work with Thermo-Loc safely and efficiently.

**IMPORTANT:** Always watch through the microwave window. Do NOT leave the microwave while heating Thermo-Loc. Like most things in a microwave oven, it takes only seconds to overheat. If you overheat Thermo-Loc, do NOT touch it with your bare hands. You could get burned. Once you work with Thermo-Loc a few times, you will be able to tell how warm it is by its appearance and smell. Properly warmed Thermo-Loc has only a slight plastic odor. If the odor is strong or there is discoloration or smoke, you have overheated it. Overheated Thermo-Loc can be much more sticky than usual, so be careful when handling it.



# TIPS

## Tip #1

It is important to determine that softened/heated Thermo-Loc is safe to handle BEFORE you touch it to avoid burning your hands. As mentioned, there are some ways to do this including how it looks and smells. As Thermo-Loc is heated, it becomes increasingly glossy in appearance and stronger in smell.

Another useful way to judge Thermo-Loc temperature is to touch the bottom of the PTFE (Teflon) pad directly under the heated Thermo-Loc BEFORE you handle the Thermo-Loc directly. The PTFE pad provides some protection for your hands and allows you to judge "approximately" how hot the heated Thermo-Loc is. In this way you can get some idea of how hot the Thermo-Loc is before touching it. As always, please be careful. Always let overheated Thermo-Loc cool before you touch it!

## Tip #2

Thin Thermo-Loc pieces can overheat or burn more easily than thicker ones. If you are heating a piece with thin sections, heat it just enough so you can fold it into a thicker lump and then finish heating it. This will provide a more even result.

## Tip #3

If you need to make a large, thick Thermo-Loc item, build it in layers instead of trying to work with one massive piece. By allowing each layer to cool a little before applying the next layer, you can greatly reduce the total shrinkage which can be quite beneficial. One of Thermo-Loc's useful properties is its ability to stick to itself quite well. You can add some warmed Thermo-Loc on top of a cold piece and achieve excellent bond between the layers of Thermo-Loc. In some applications, Thermo-Loc shrinkage as it cools can be used to your advantage to create tight, precise holding fixtures that allow the workpiece to "snap" in and out when desired.

## Tip #4

Remember to think about how you will remove your workpiece BEFORE you form Thermo-Loc around it. Thermo-Loc becomes amazingly stiff at room temperature which generally prevents you from bending it out of shape to remove your part. Instead, look at the shape of your part and form Thermo-Loc around it in such a way that it will slide off in at least one direction.

## Other Heating Methods

There are other ways to heat Thermo-Loc such as a low-temperature slow cooker (Crock Pot), and immersing Thermo-Loc in a hot liquid such as water. You may find some experimentation necessary to determine the best heating method for your particular work holding application. When trying various heating methods, monitor Thermo-Loc closely and stop the heating process immediately if any signs of overheating occur. Refer to "How to Check Heated Condition of Thermo-Loc" for more information.

## How to Check Heated Condition of Thermo-Loc

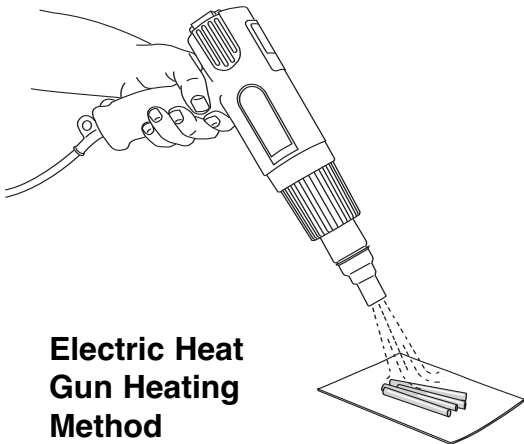
Properly heated Thermo-Loc will be slightly shinier than cold Thermo-Loc. It will also start to flow or slump a little. Properly heated Thermo-Loc will have only a slight plastic smell. While heating in a microwave oven, if you observe a noticeable or rapid swelling, STOP the oven IMMEDIATELY... a rapid rise or swelling indicates the start of overheating.

Properly heated Thermo-Loc will be quite flexible...somewhat like modeling clay. You can control the stiffness or flexibility of Thermo-Loc by how warm you heat it. The warmer it gets, the softer and more flexible it becomes.

Overheated Thermo-Loc is often very shiny or even wet looking. The smell will be noticeably stronger. In extreme overheating, there can be visible smoke and a very strong smell.



**CAUTION**  
DO NOT TOUCH  
IF OVERHEATED



## Electric Heat Gun Heating Method

Thermo-Loc may also be heated with an electric heat gun. Since many heat guns operate at temperatures well above that recommended for Thermo-Loc, care and patience should be used. Keep the heat gun nozzle several inches from the Thermo-Loc surface and move it continually to avoid overheating or burning the surface. Because a heat gun heats only the outside surface, it will take longer to thoroughly soften Thermo-Loc with a heat gun than with a microwave oven. At times this type of exterior surface heating can be an advantage such as making slight modifications to an existing Thermo-Loc fixture. If an electric heat gun is not available, some electric hair dryers will work but are less effective. Pay close attention to the signs of overheating including rapid surface swelling, strong plastic odor or even smoke. If any of these results, discontinue heating immediately.

## Oven Heating Method

Thermo-Loc may be heated in a warm oven set to approximately 160-200 °F (71-93 °C). When using an oven, place Thermo-Loc on a PTFE (Teflon®) pad on top of a cookie sheet. Let the oven slowly warm the Thermo-Loc. Remove carefully and be sure the heated Thermo-Loc is not too hot for you to handle safely. Do NOT try to rapidly heat Thermo-Loc by using elevated oven temperatures. This could cause overheating including strong fumes, smoke and dangerously hot Thermo-Loc that could burn you when touched.

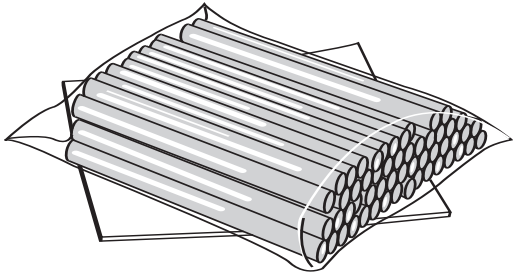


# Thermo-Loc™

## Special Fixtures

### Thermo-Loc Starter Kit:

**#003-667** Includes 6" (150mm) square PTFE (Teflon®) pad and 1 lb. (450 gm) Thermo-Loc sticks.



### Thermo-Loc sticks with instructions

**#003-664** 0.5 lb. (225 gm)

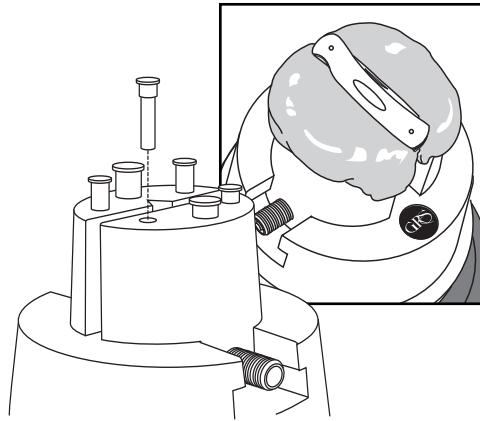
**#003-665** 1.0 lb. (450 gm)

**#003-666** 5.0 lb. (2.26 kg)

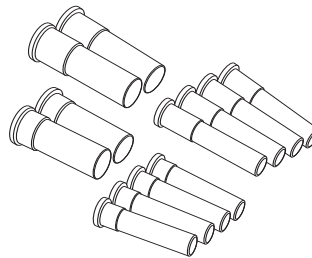
### PTFE (Teflon®) Pad

**# 003-291** 6" (150mm) square PTFE (Teflon®) Pad

Included with Thermo-Loc Starter Kit #003-667 above.



Glendo offers fixtures and accessories designed especially for using Thermo-Loc with GRS Engraving Vises. This includes a Thermo-Loc Pin Kit which is a set of stainless steel pins that fit into the top jaw holes of GRS vises (engraving blocks). Softened Thermo-Loc can be applied around these pins and formed to fit the workpiece. After cooling, the formed Thermo-Loc with imbedded pins can be removed from the jaws and reinstalled when desired. The stainless steel pins provide better clamping than using Thermo-Loc alone.

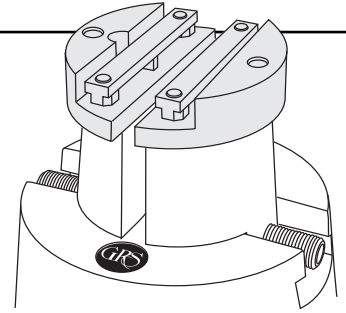


### Pin Kit for GRS Magnablock Vise:

**#003-671** Includes 4 ea. 1/4" short pins, 4 each 1/4" medium pins, 2 each 3/8" short pins, 2 each 3/8" medium pins; this kit also fits GRS Positioning Vise and GRS Low Profile Vise.

### Pin Kit for GRS Standard Vise:

**#003-670** Includes 6 ea. 1/4" short pins, 6 each 1/4" medium pins.



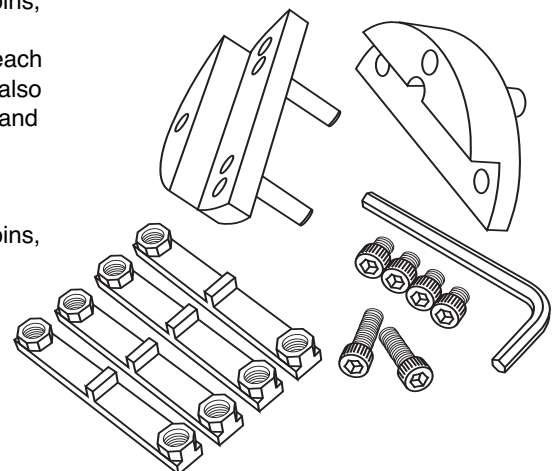
Another fixturing aid is the Thermo-Loc Jaw Kit. This kit includes machined stainless steel upper plates that fit onto GRS engraving vise jaws. Then, a mating metal bonding strip is bolted onto each upper plate. Finally, softened Thermo-Loc is formed onto the upper plate and around the bonding strip to hold the desired workpiece. After cooling, the imbedded bonding strips with attached Thermo-Loc can be unscrewed and removed. This gives you the option to save and remount these formed Thermo-Loc holders for future jobs on the same type of workpiece.

### Thermo-Loc Jaw Kit for GRS Magnablock Vise:

**#003-669** Includes 2 master upper jaws (one pivoting), 4 threaded bonding strips, bolts and wrench; this jaw kit also fits GRS Positioning Vise and GRS Low Profile Vise.

### Thermo-Loc Jaw Kit for GRS Standard Vise:

**#003-668** Includes 2 master upper jaws (one pivoting), 4 threaded bonding strips, bolts and wrench. This jaw kit fits only GRS Standard Engraving Vises which are smaller than GRS Magnablock-type vises



- TOOLS
- TECHNIQUES
- TRAINING

900 Overlander Road  
P.O. Box 1153  
Emporia, KS 66801 USA

Phone: 1-800-835-3519

Fax: 620-343-9640

Tel: 620-343-1084

e-mail: GRS@GrsTools.com

website: www.GrsTools.com

Thermo-Loc is a trademark of Glendo Corporation.  
Teflon is a registered trademark of DuPont  
Printed in USA  
All rights reserved. © 2004 Glendo Corporation  
Lit# 230