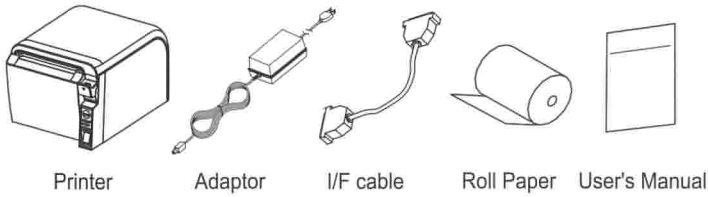


# SLK-TE25 Quick Reference Guide

Rev. B 05/15

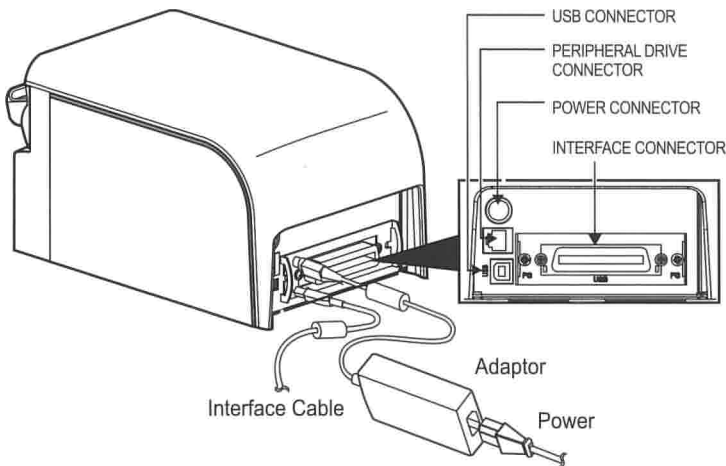
Your printer box should include these items.  
If any items are damaged or missing, please contact your dealer for assistance.

## ■ Unpacking



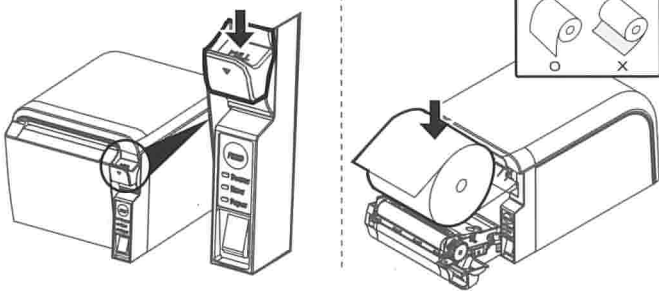
## ■ Connection of Power supply (SMPS)

- 1 Turn off the printer.
- 2 Connect a power cord to adaptor, then connect the adaptor to power connector
- 3 Check the interface type on the backside of the printer, and then connect the interface connector to printer.

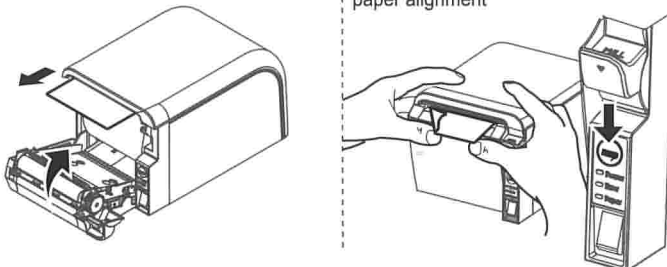


## ■ Installation a roll paper

- 1 Open the cover with cover open button
- 2 Put a roll paper in the right direction

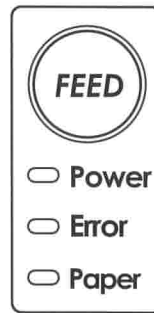


- 3 Release a paper little, thus it appears when the cover closed.
- 4 Close the cover with both hands, and then press a feed button once for paper alignment



**CAUTION** It might not close properly when closing with one hand.  
Make sure close the cover with pressing both sides of cover

## ■ Control panel



### Power POWER (LED)

▶ The Green LED is indicating when the printer turns on

### Error ERROR (LED)

▶ The RED LED is indicating in case of No paper, cover open, etc.,

### Paper PAPER (LED)

▶ Indicating no paper or in the self test mode.

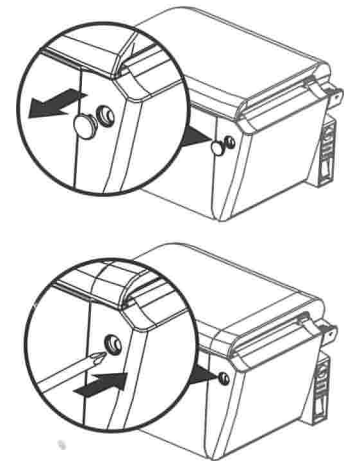
### FEED(BUTTON)

▶ Feeding the paper. The paper will continuously come out while pressing the feed button

## ■ Managing a cutter Jam

**CAUTION** When the paper cutter is jammed, the top cover might be stuck closed.  
In this case, repeat power on and off several times.  
If the top cover is still stuck, please follow the steps to release the paper jam.

- 1 Make sure the printer turns off
- 2 Release Cutter Jam Cover as shown the figure
- 3 Rotate the bolt with driver until the cutter goes into the initial stage



## ■ Self Test

The self-test result indicated whether the printer is operating properly.  
Also with this, user can check following options or status of the printer.

Control circuit  
Printer mechanism  
Printing quality  
ROM version  
Interface setting

This test is independent of any other equipment or software.

### Running the self test

- 1 Make sure the printer is turned off and the printer cover is closed properly before performing the self test
- 2 Turn the printer on holding the FEED button, then the self-test will start. The self-test prints the printer setting value and then prints the following, and pauses. (Error LED On)

SELECT MODE BY BUTTON  
- ASCII PRINT  
- SELECT BAUDRATE MODE  
- HEXADUMP MODE

- 3 Press the FEED button consecutively (1~3)

1. ASCII PRINT (press the FEED button once)	2. SELECT BAUDRATE MODE (press the FEED button twice)	3. HEXADUMP MODE (press the FEED button triple time)
Printing test page constructed with ASCII code.	Set the speed of Serial Interface (You can set the BAUDRATE in this mode)	Printing the HEX value received from the interface

♣ Wait for 5~6 seconds if you want to exit. Printer performs a cutting when exiting this mode

- 4 The printer is ready to receive data after finishing setting.