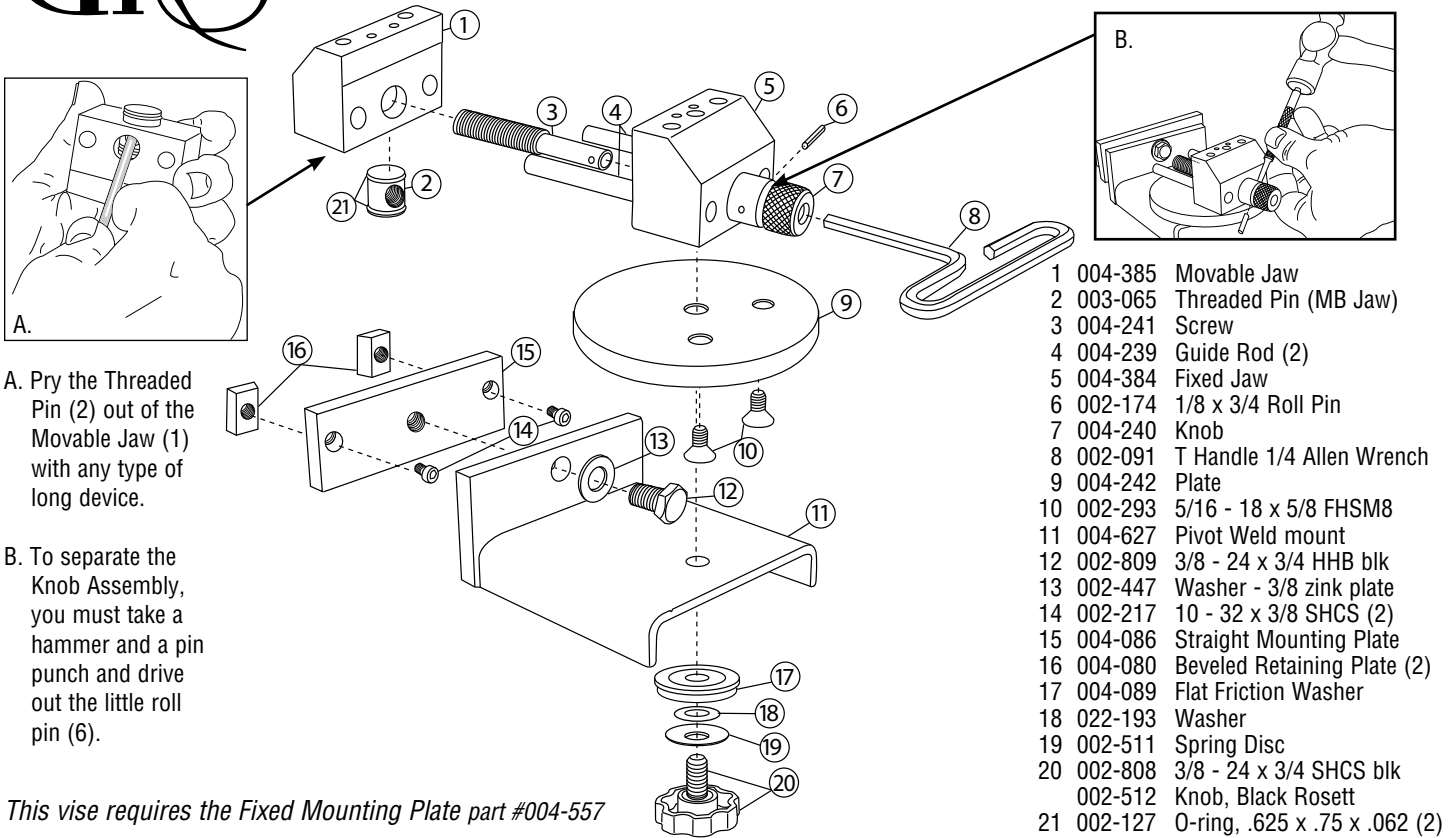




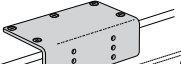

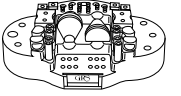

Multi-Purpose Vice for BenchMate System

PART #004-628



- 1 004-385 Movable Jaw
- 2 003-065 Threaded Pin (MB Jaw)
- 3 004-241 Screw
- 4 004-239 Guide Rod (2)
- 5 004-384 Fixed Jaw
- 6 002-174 1/8 x 3/4 Roll Pin
- 7 004-240 Knob
- 8 002-091 T Handle 1/4 Allen Wrench
- 9 004-242 Plate
- 10 002-293 5/16 - 18 x 5/8 FHSM8
- 11 004-627 Pivot Weld mount
- 12 002-809 3/8 - 24 x 3/4 HHB blk
- 13 002-447 Washer - 3/8 zink plate
- 14 002-217 10 - 32 x 3/8 SHCS (2)
- 15 004-086 Straight Mounting Plate
- 16 004-080 Beveled Retaining Plate (2)
- 17 004-089 Flat Friction Washer
- 18 022-193 Washer
- 19 002-511 Spring Disc
- 20 002-808 3/8 - 24 x 3/4 SHCS blk
- 002-512 Knob, Black Rosett
- 21 002-127 O-ring, .625 x .75 x .062 (2)

This vise requires the Fixed Mounting Plate part #004-557

QTY.	PART NO.	DESCRIPTION	COST EACH	AMOUNT
	004-559	 Optional Mounting Adapter <i>For attaching Fixed Mounting Plate to curved or thin bench tops</i>	\$25.95	
	004-557	 Fixed Mounting Plate	\$18.95	
	003-520MPV	 Attachment Set for Multi-Purpose Vise <i>Includes 30-pc. attachment set, two pin plates and 4 jaw pins</i>	\$119.00	
	003-662	 1/4" Hex Drive Key with Knurled Aluminum Handle <i>Low profile design that is handy and easy to grip. Replacement for the T-handle.</i>	\$16.95	

Prices subject to change without notice. **TOTAL DUE:**

Ship To: Company _____
 Name _____
 Shipping Address _____
 City _____ State _____ Zip _____
 Phone _____

Shipping: Enclose money order or personal check and receive free ground shipping in lower 48 states. Freight and handling costs will be charged to credit card orders.

Sent US Mail or UPS ground unless otherwise requested. *Please send via:*

METHOD OF PAYMENT:

- Check or Money Order (For personal check allow 7 days to process)
- Charge my account (listed firms only)
- Mastercard Visa
- American Express Discover

Card No. _____ Exp. _____ / _____

Your Signature _____

MAIL ORDER TO:

Glendo Corporation
 P.O. Box 1153
 Emporia, KS 66801

FAX ORDER TO: 620-343-9640

ORDER TOLL FREE: 1-800-835-3519

Monday-Friday 8am-5pm Central Time

PLEASE ASK FOR ORDER DESK

LIT-244