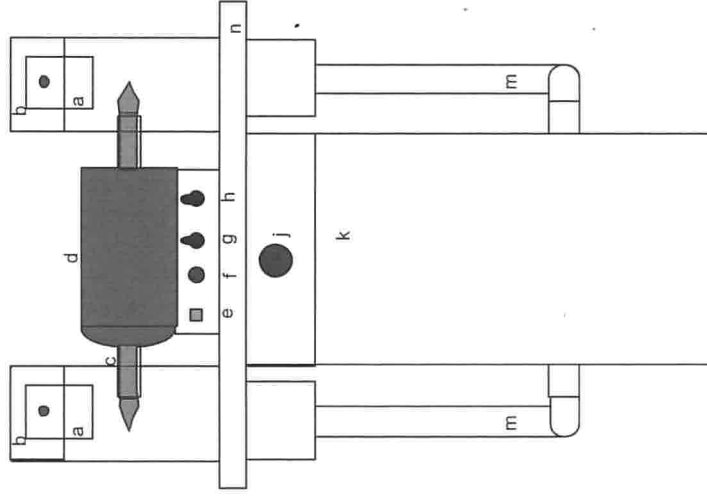


POLIMAX 1 polishing extractor operation data



a = Clear safety screen
b = Cowl assembly
c = Shaft guard
d = Polishing motor
e = Neon light
f = Fuse 10 amp anti-surge type
g = Polishing motor on/off switch
h = Dust extraction on/off switch
j = Shaker knob
k = Extractor cover
m = Flexible connection pipes
n = Work top

Height floor to work top = 900mm
Maximum width = 900mm
Maximum front to rear = 720mm
Maximum wheel/mop size = 200mm
Weight = 50 Kgs nett
Polishing motor speed = 2800 rpm.
Standard IP54. Cap. 36µF
Polishing motor power = 1.5hp (1.15kw) 6.6A
Extractor motor power = 0.5 hp (.37kw) 3.1A
Standard IP64. Cap. 16µF
POLIMAX total maximum current 10 amps
Voltage 220 - 240 volts 50 / 60 Hz

Description

The POLIMAX 1 is a continuously rated polishing machine designed for the polishing of metal and other materials.

The extraction system sucks the contaminated air from the polishing area and passes it through fabric filters to remove the dust. The cleaned air is ducted to the rear of the machine for return to the workshop area. The extracted air can also be ducted to another area or outside by fitting an adaptor plate (extra).

Operation

Switch both switches upwards and ensure the clear safety screens "a" and shaft guards "c" are in place before connecting the machine to a suitable power supply. Fit polishing mops (see **Changing polishing mops and wheels**) and slide cowls to fit mops.

Switch extractor on first, followed by the polishing motor. Switching both motors on at the same instant may cause the 10 amp fuse to fail due the electrical peak load that powerful motors have.

Always use "anti - surge" fuses when replacing fuses as normal "quick - blow" glass types will fail on start - up.

During continuous running the polishing motor will heat up, **THIS IS NORMAL**, the operation temperature specification of the motor is 10 to 120°C. Always run the Extractor when operating the polishing motor.

Maintenance

Every 8 hours of operation, switch off the POLIMAX at the power point and check that the fan, mounted on the left of the polishing motor is not blocked by polishing debris.

Every 4 hours of use turn off the polishing and extractor motors and allow them to stop, operate the shaker knob "j" by pulling out and releasing it 2 or 3 times to clear debris from the filter bags.

Every 40 hours of use, turn off the POLIMAX at the power supply and remove the front cover "k". Pull out and empty the bottom tray of polishing residue. Refit the front cover the correct way up, with the 2 horizontal seals at the base of the machine, in line with the bottom tray.

Every 500 hours of polishing or when the suction level falls, remove the filter bags by undoing the circular clips at the base and undoing the top connection. Shake any loose dust free and wash the bags in a domestic detergent, dry and refit. Every 2000 hours of operation replace the bags.

Changing polishing mops and wheels

Switch off the machine and ensure that no other person can switch on the polishing motor whilst you are changing mops. Use a 3mm rod through the hole in the part of the motor shaft that extends beyond the Shaft guard and rotate the mop towards you from the top of the mop. Place the replacement mop onto the shaft end and rotate it away from you to "wind" it onto the shaft. Make sure hands are clear and the 3mm rod is removed and re-start the polishing motor.

Do not remove the Shaft Guards as these are fitted to protect you and to comply with current Health and Safety requirements.

Notes

Wear gloves when polishing. Do not remove Clear safety screens.

Wear body protection when polishing large or sharp items.

Always operate the extractor when polishing.

Do not run the polishing machine without mops on both shafts, exposed steel taper shafts are DANGEROUS.

Do not wear finger rings when changing mops, or tape them over so no risk of the taper shaft engaging the space between the finger and the ring.

Take care when operating with some types of workshop lighting, under some conditions mops can appear stationary when they are running due to stroboscopic effects.

Do not operate machinery when tired or under the influence of drugs or alcohol. Do not smoke when polishing, a spark from smoking will cause a dangerous fire if sucked into the extraction inlets due to the forced air velocity and the presence of flammable material from the polishing wheels and compounds. If fire does occur switch off the extractor and polishing motors and, if safe to do so, block the air inlets with polishing mops or other material that is not flammable to starve the fire of air.

ref. conf/matr/POLIMAX © Balco eng