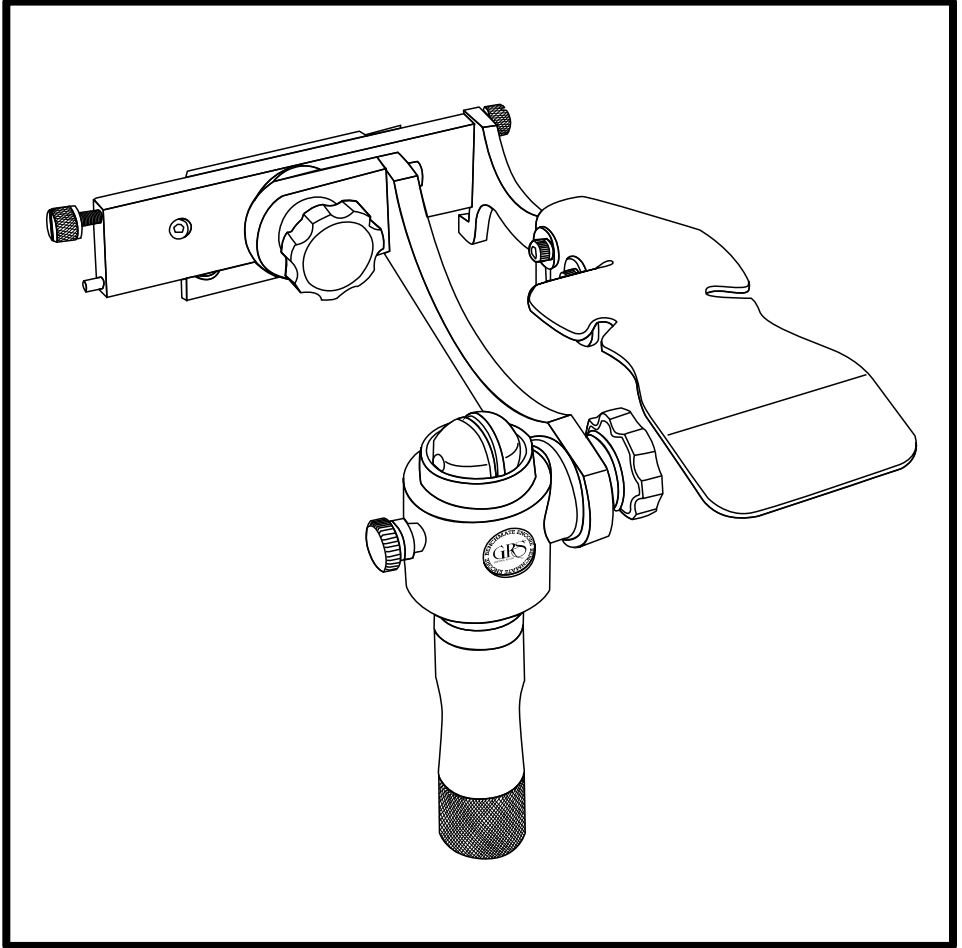




BenchMate™ QC

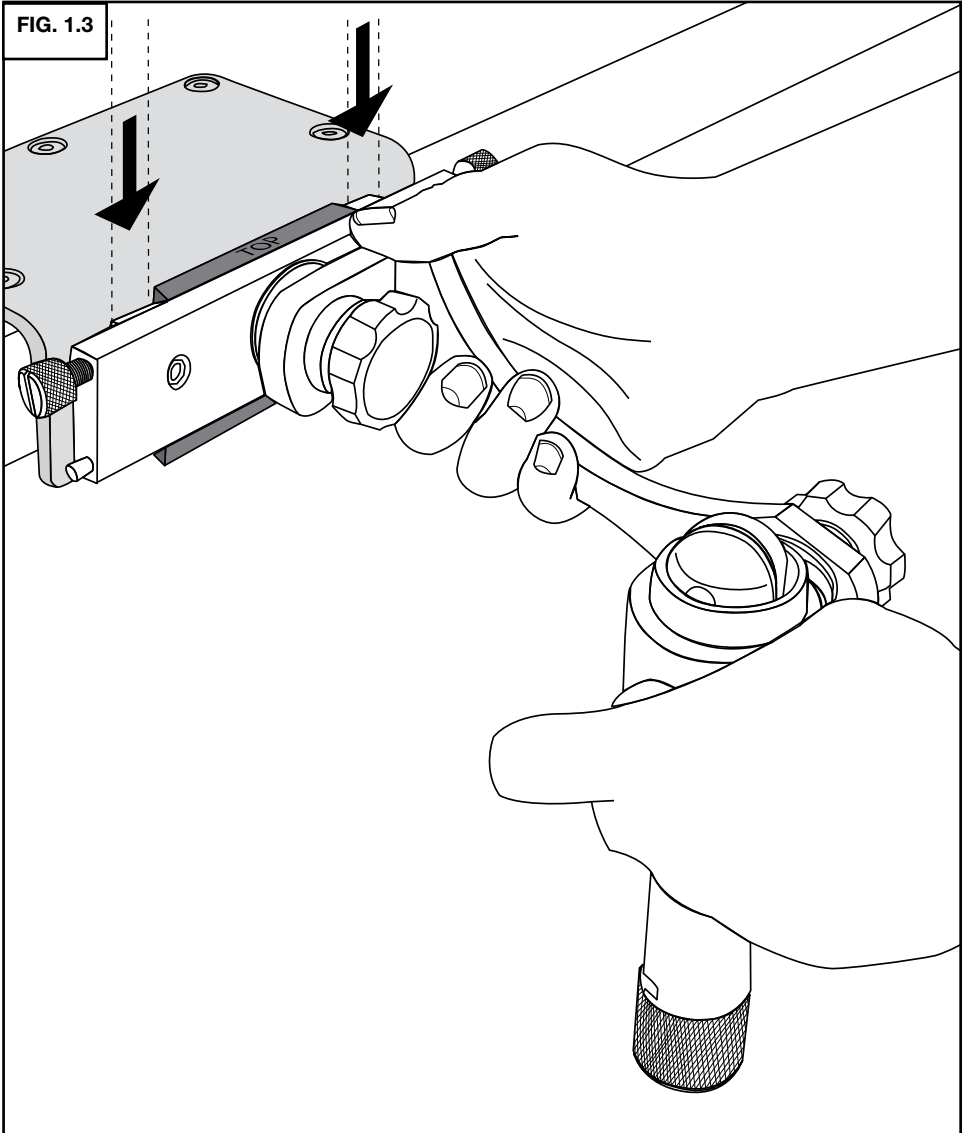
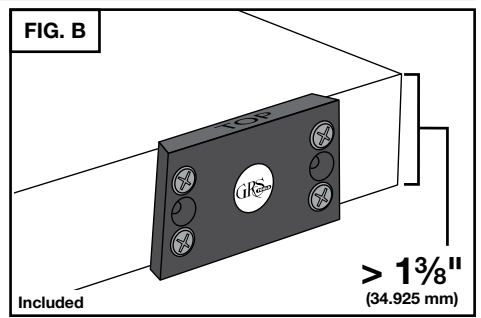
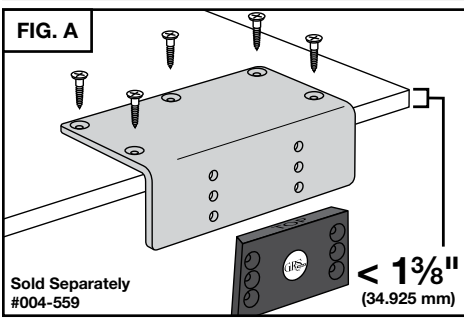
INSTRUCTIONS • #004-839 and #004-840



CONTENTS

1. INSTALLATION	2
2. HEIGHT ADJUSTMENTS	3
3. CHANGING QC FIXTURES	4
4. INSTALLATION OF THE HANDREST.....	4
5. INSTALLATION OF THE THIRD-HAND ATTACHMENT	5
6. MAINTENANCE	5
PARTS LIST • #004-839 AND #004-840	6
PARTS LIST • #004-840	8

1. INSTALLATION



2. HEIGHT ADJUSTMENTS

FIG. 2.1

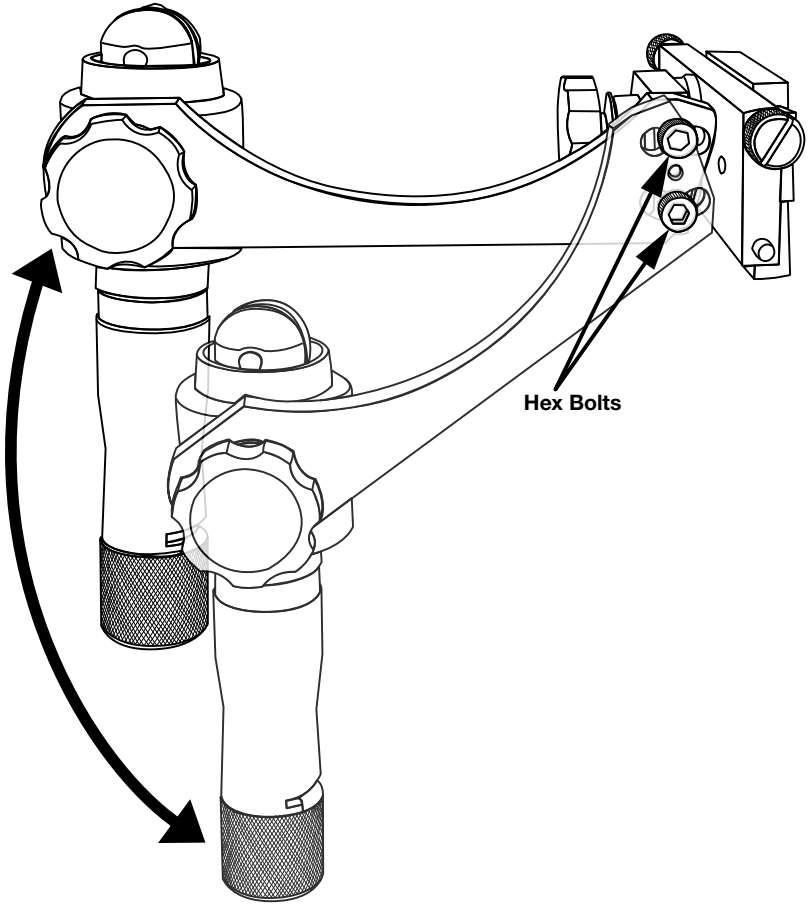
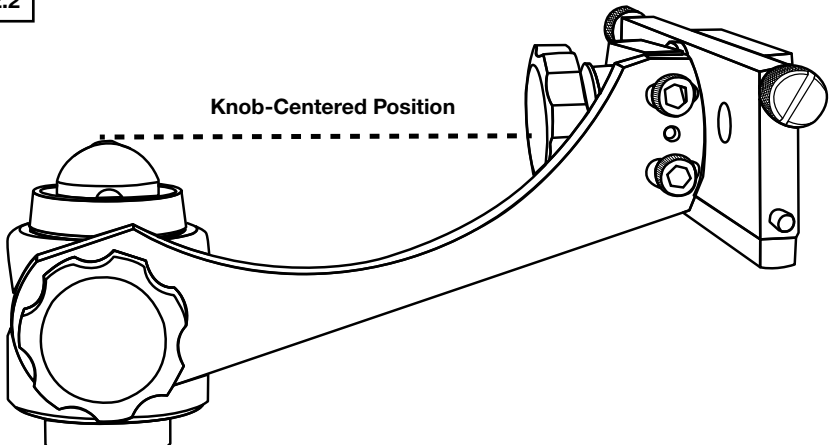
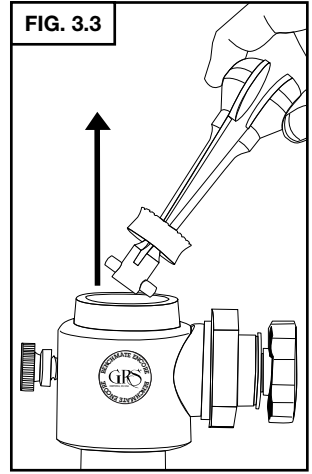
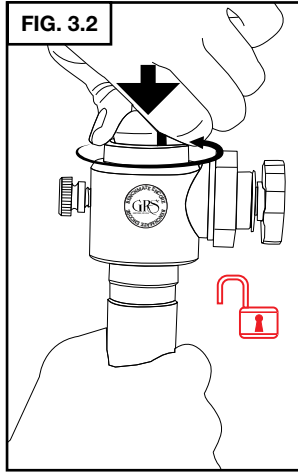
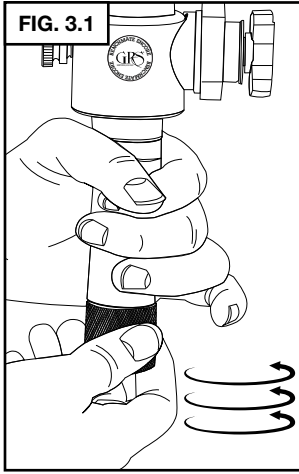


FIG. 2.2

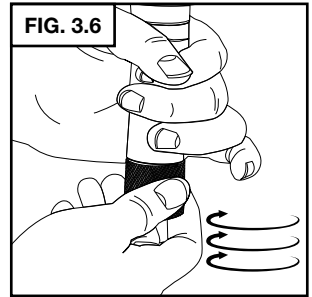
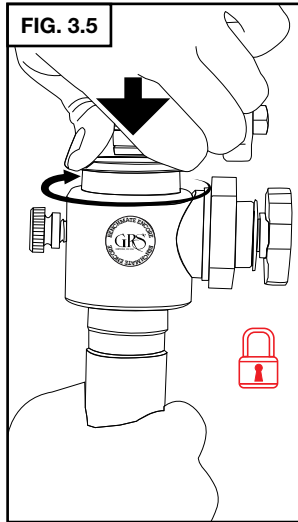
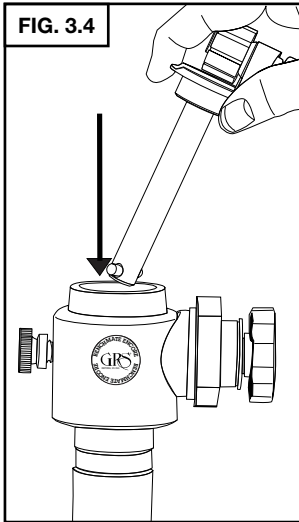


3. CHANGING QC FIXTURES

FIXTURE REMOVAL



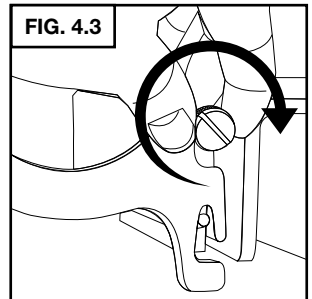
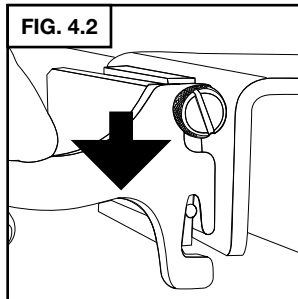
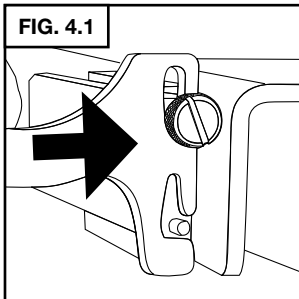
FIXTURE INSTALLATION



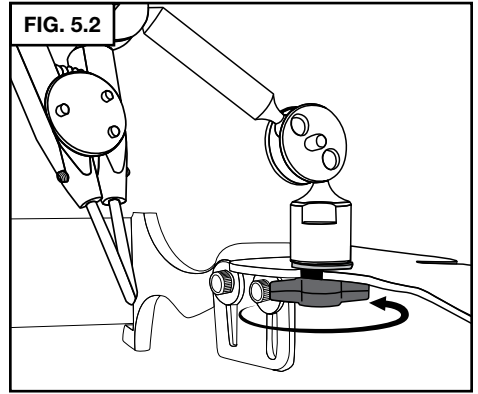
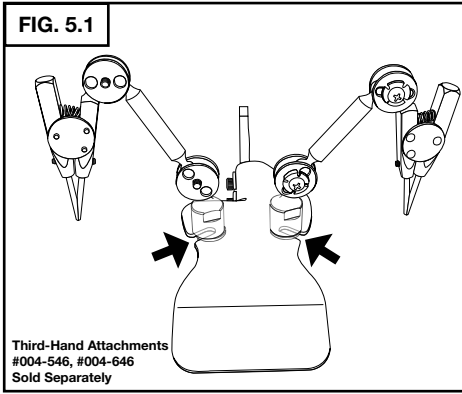
WARNING

Make sure QuickChange fixture is seated fully before tightening with mandrel knob. A fixture can be ejected with force if not properly seated when tightening.

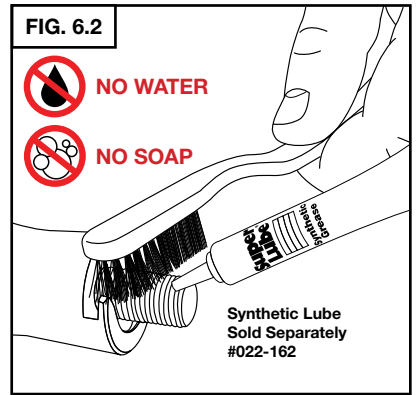
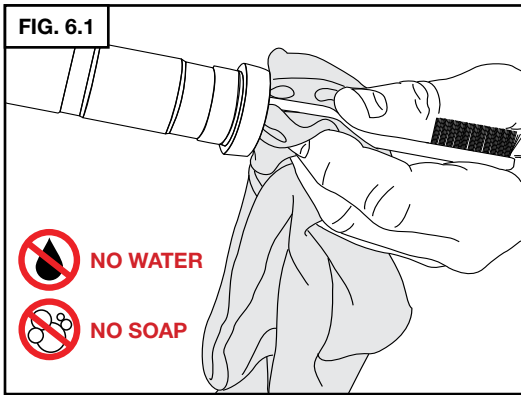
4. INSTALLATION OF THE HANDREST



5. INSTALLATION OF THE THIRD-HAND ATTACHMENT



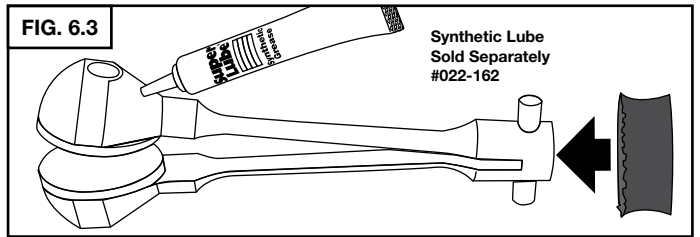
6. MAINTENANCE



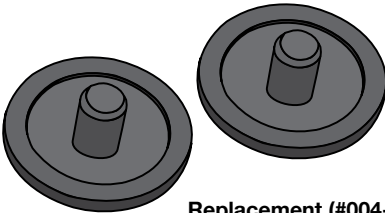
FOAM SEAL



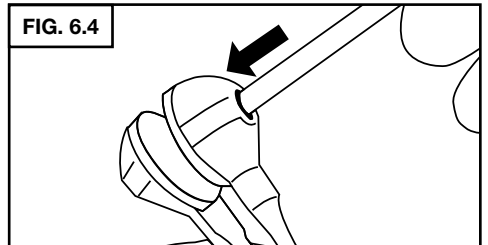
Replacement #004-126



PLASTIC INSERTS

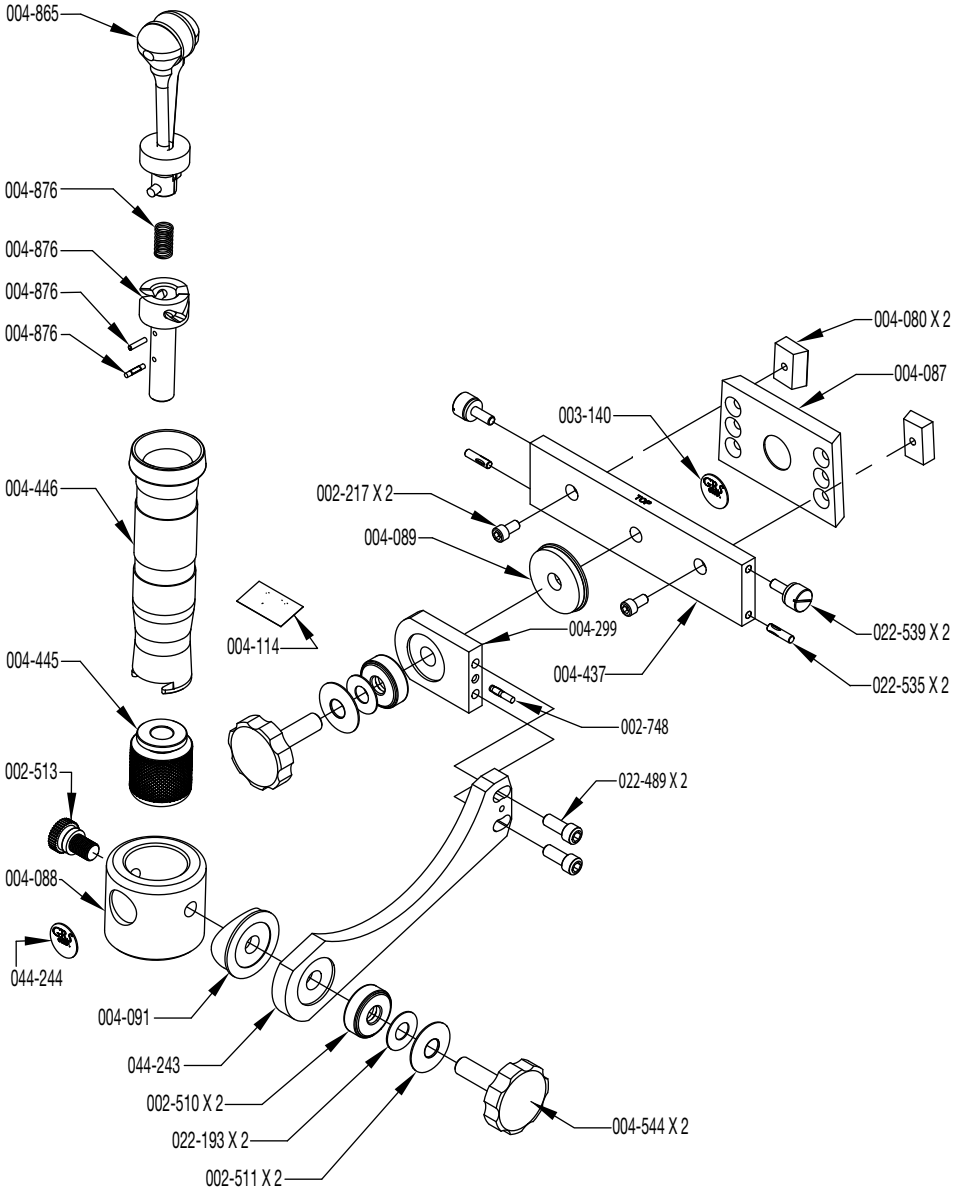


Replacement (#004-090 or
#004-558 pkg. of 10)

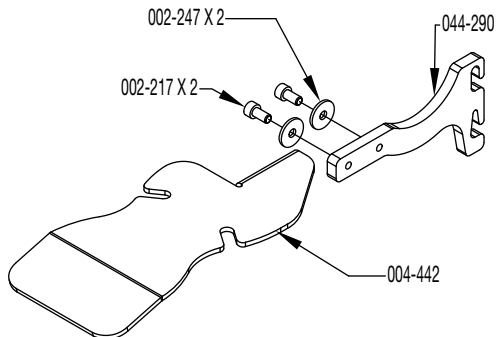
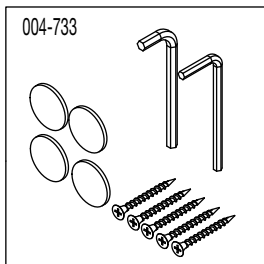


GRS[®] BenchMate™ QC

PARTS LIST • #004-839 and #004-840



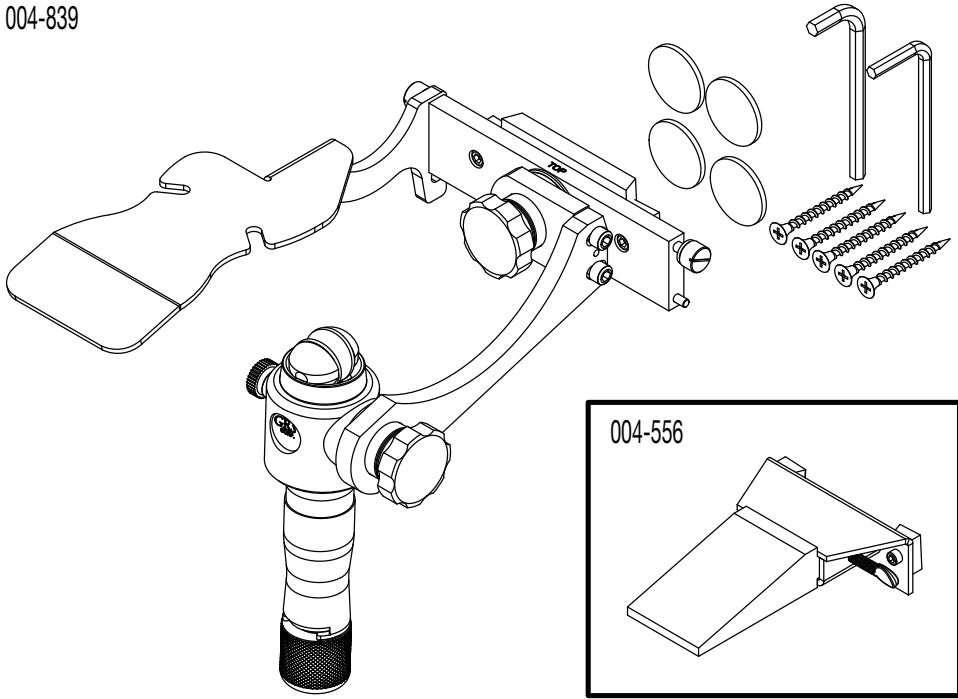
PART NO.	DESCRIPTION	QTY
002-217	#10-32 X 3/8 SHCS BLK	4
002-247	WASHER .191 X .628 X 16 GA	2
002-489	1/4-20 X 5/8 SHCS BLK	2
002-510	BEARING, THRUST	2
002-511	SPRING, DISC	2
002-513	SCREW, THUMB	1
002-748	PIN, DRIV-LOK 1/8 X 5/8 N PHA	1
003-140	LABEL, GRS	1
004-080	BEVELED RETAINING BLOCK	2
004-087	MOUNTING PLATE (BEVELED)	1
004-088	COLLAR	1
004-089	WASHER, FLAT FRICTION	1
004-091	CUPPED FRICTION WASHER	1
004-114	LABEL, BENCHMATE	1
004-299	BLOCK, BENCHMATE ARM	1
004-437	MOUNTING PLATE	1
004-442	HAND REST	1
004-445	CLAMP KNOB	1
004-446	CLAMP TUBE	1
004-544	KNOB ASSY 3/8-24	2
004-733	ACCESSORY PACK ENCORE 1 AXIS	1
004-865	COMPLETE QUICK CHANGE JAW ASSEMBLY	1
004-876	ENCORE QC TOOL RECEIVER SUB ASSEMBLY	1
022-193	WASHER	2
022-535	DRIV-LOC PIN .156 X .625 TYPE H	2
022-539	THUMB SCREW	2
044-243	ARM	1
044-244	LABEL B/M ENCORE 1 AXIS	1
044-290	HAND REST MOUNT	1



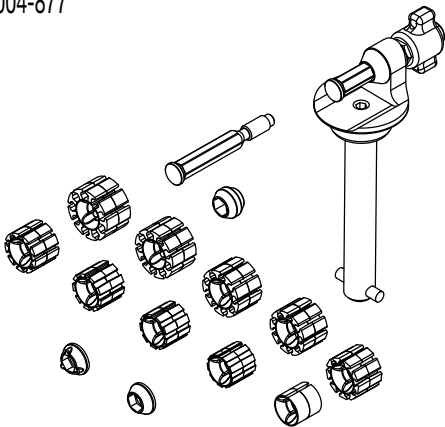
GRS[®] BenchMate[™] QC

PARTS LIST • #004-840

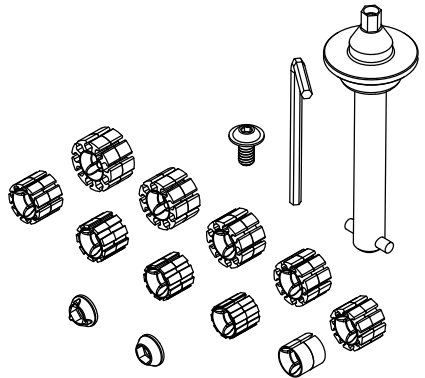
004-839



004-877



004-878



GLENDO LLC

900 Overlander Road • Emporia, KS 66801 USA
800-835-3519 • 620-343-1084 • Fax: 620-343-9640
grs@grstools.com • www.grstools.com
Last Update: 2015-12-04